

DRAWING NUMBER    ISSUE  
**S-B9088AS-06**



TITLE:    POWER SUPPLY

SHEET 1 OF 12

FILENAME: S-B9088AS-06.SCH

DRAWN:    AW/PST

DATE:     10/2/98

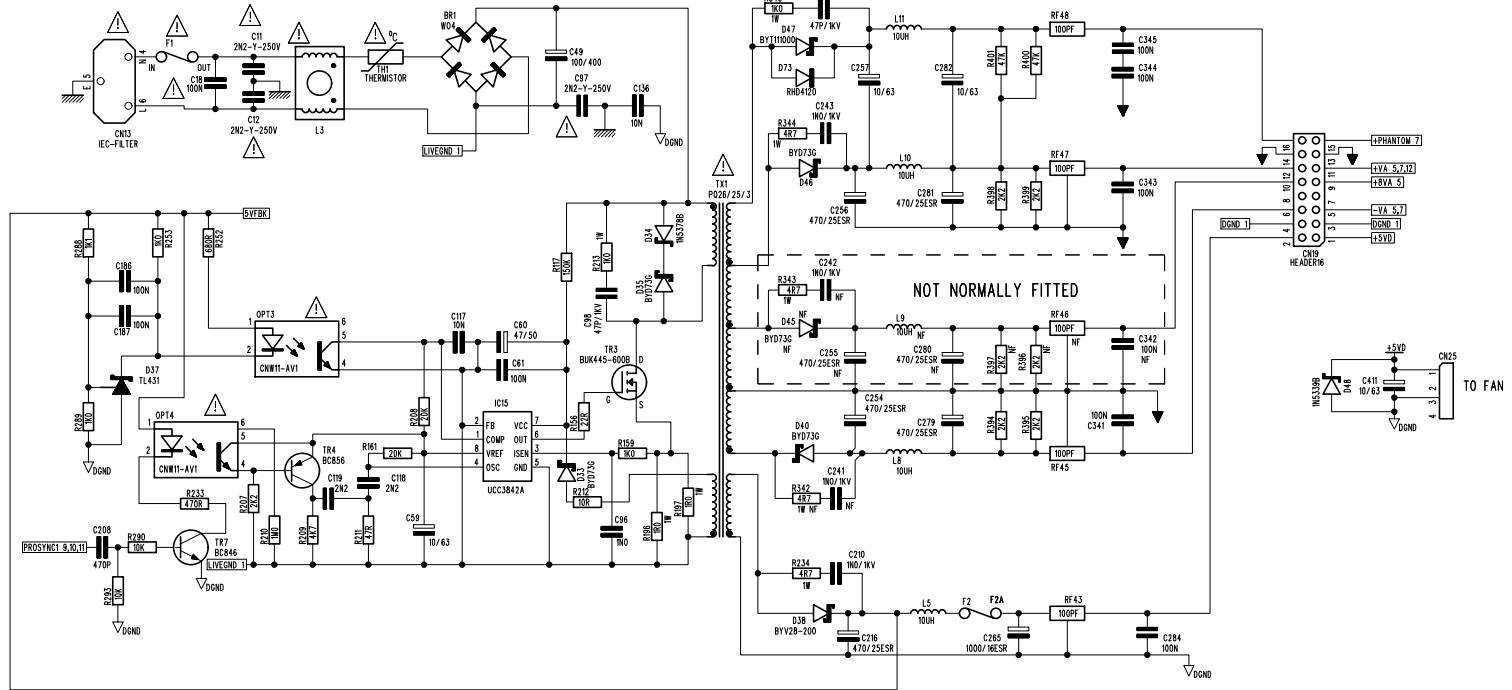
CHECKED:

MATERIAL:

FINISH:

ISSUE COMMENTS:

2. ECN0051 13-03-98
3. ECN0075 23-04-98
- 3a. ECN0066 30-04-98
- 3b. ECN0091 16-07-98
- 3c. ECN0151 19-05-99
4. ECN0184 16/11/99
5. ECN0313 31/05/00
6. ECN0462 08/03/01



△ ANY COMPONENT BEARING THIS MARK IS SAFETY CRITICAL PLEASE REFER TO SERVICE MANUAL

THIS DRAWING IS THE COPYRIGHT OF BSS Audio Ltd. ALL REPRODUCTION AND COPYING, OTHER THAN THAT FOR LICENCED MANUFACTURES OWN INTERNAL USE, OR DISCLOSURE OF PART OR WHOLE TO A THIRD PARTY WITHOUT PRIOR WRITTEN AUTHORISATION IS IN VIOLATION OF THE COPYRIGHT. © BSS Audio Ltd 2001

DRAWING NUMBER ISSUE  
**S-B9088AS-06**



HARMAN INTERNATIONAL  
 INDUSTRIES LIMITED  
 CRANBORNE HOUSE  
 POTTERS BAR  
 HERTS  
 EN6 3JN  
 Tel 01707 660667  
 Fax 01707 660755

TITLE: DAC MODULE

SHEET 2 OF 12

FILENAME: S-B9088AS-06.SCH

DRAWN: AW/PST

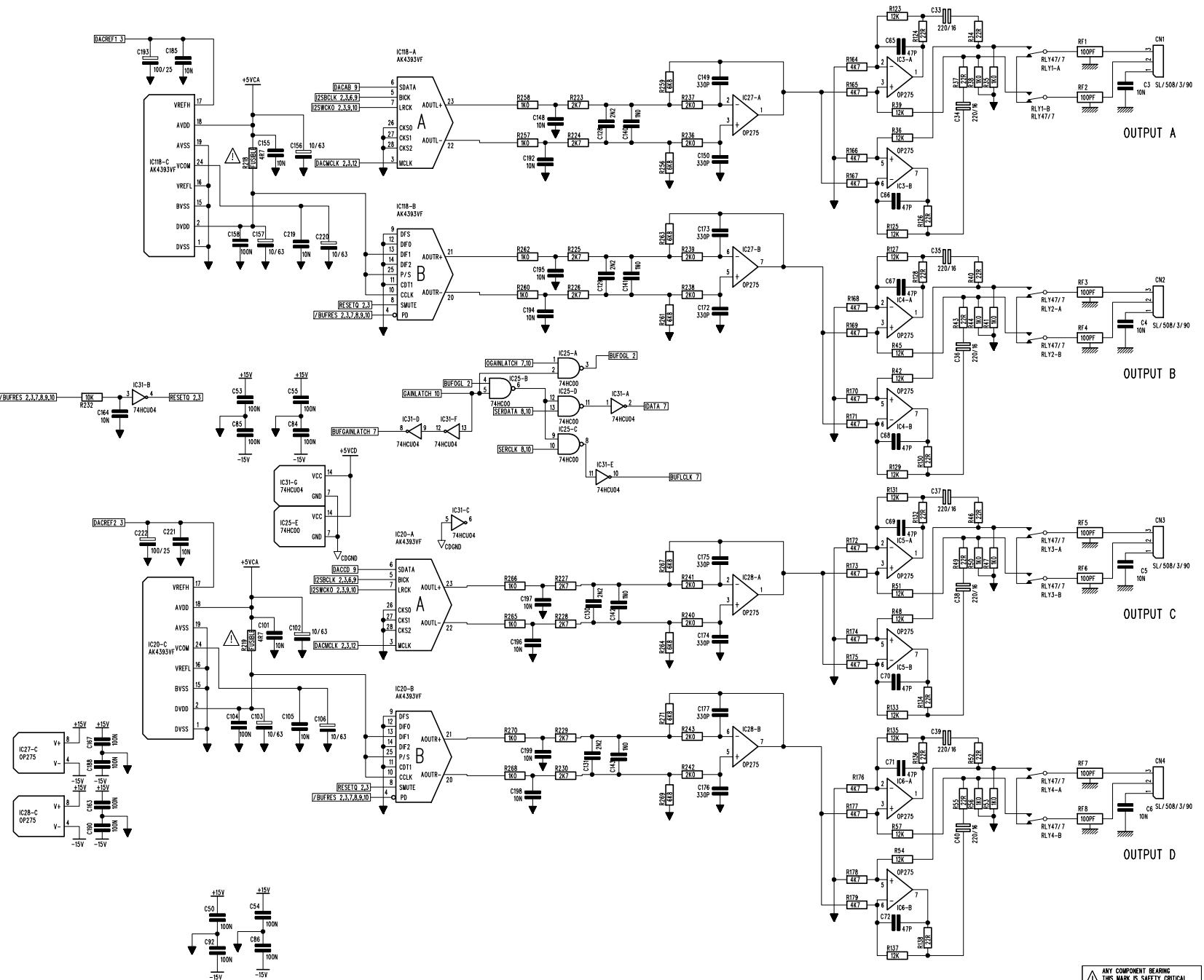
DATE: 10/2/98

CHECKED:

MATERIAL:

FINISH:

ISSUE COMMENTS:



THIS DRAWING IS THE COPYRIGHT OF BSS Audio Ltd. ALL REPRODUCTION AND COPYING, OTHER THAN THAT FOR LICENCED MANUFACTURES OWN INTERNAL USE, OR DISCLOSURE OF PART OR WHOLE TO A THIRD PARTY WITHOUT PRIOR WRITTEN AUTHORISATION IS IN VIOLATION OF THE COPYRIGHT.  
 © BSS Audio Ltd 2001

ANY COMPONENT BEARING THIS MARK IS SAFETY CRITICAL - PLEASE REFER TO SERVICE MANUAL

DRAWING NUMBER ISSUE  
**S-B9088AS-06**



HARMAN INTERNATIONAL  
 INDUSTRIES LIMITED  
 CRANBORNE HOUSE  
 POTTERS BAR  
 HERTS  
 EN6 3JN  
 Tel 01707 660667  
 Fax 01707 660755

TITLE: DAC MODULE

SHEET 3 OF 12

FILENAME: S-B9088AS-06.SCH

DRAWN: AW/PST

DATE: 10/2/98

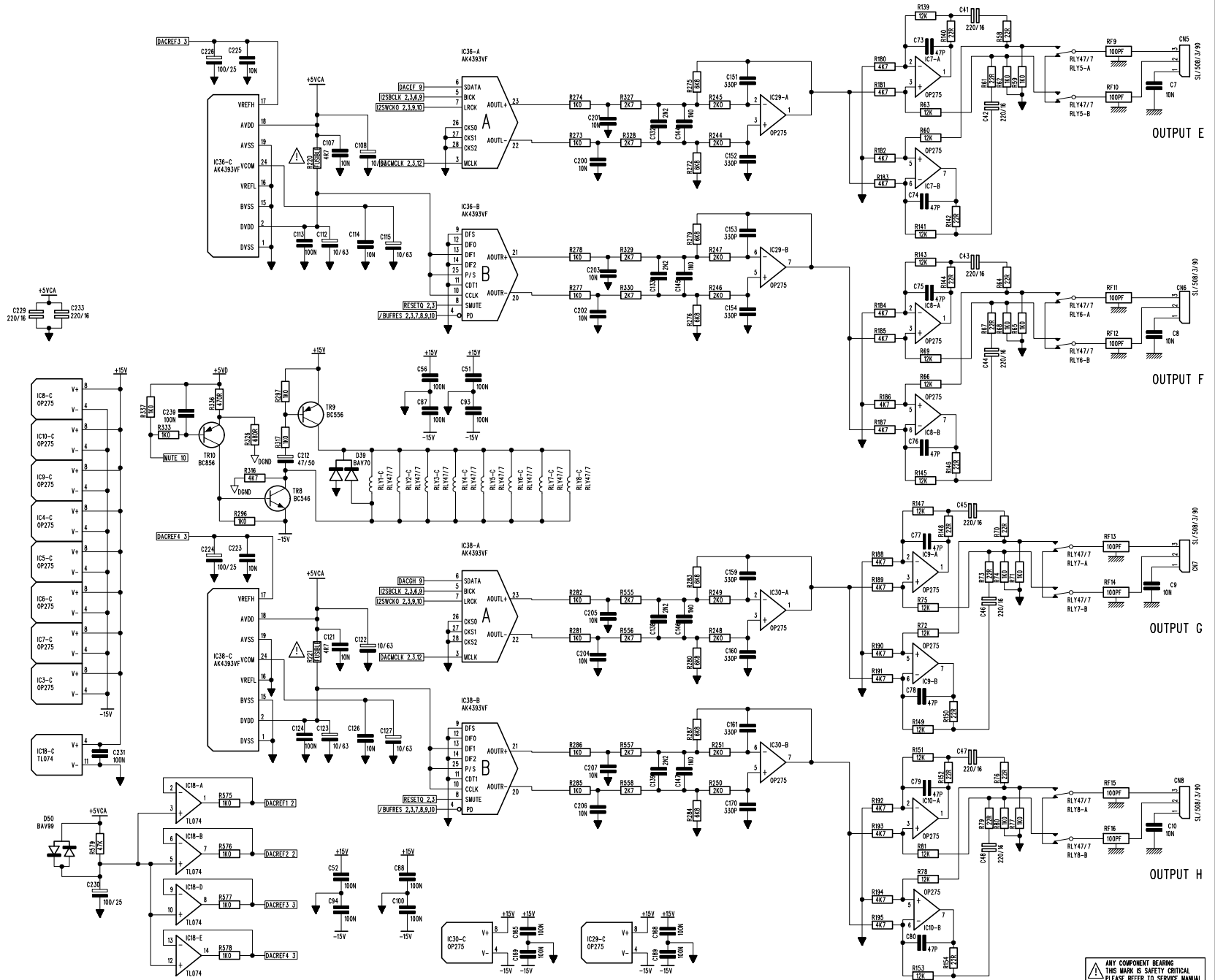
CHECKED:

MATERIAL:

FINISH:

ISSUE COMMENTS:

THIS DRAWING IS THE COPYRIGHT OF BSS Audio Ltd. ALL REPRODUCTION AND COPYING, OTHER THAN THAT FOR LICENCED MANUFACTURES OWN INTERNAL USE, OR DISCLOSURE OF PART OR WHOLE TO A THIRD PARTY WITHOUT PRIOR WRITTEN AUTHORISATION IS IN VIOLATION OF THE COPYRIGHT. © BSS Audio Ltd 2001



OUTPUT E

OUTPUT F

OUTPUT G

OUTPUT H

ANY COMPONENT BEARING THIS MARK IS SAFETY CRITICAL PLEASE REFER TO SERVICE MANUAL

DRAWING NUMBER    ISSUE  
**S-B9088AS-06**



TITLE:    SIGNAL LED INDICATORS

SHEET 4 OF 12

FILENAME: S-B9088AS-06.SCH

DRAWN:    AW/PST

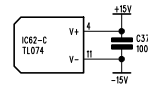
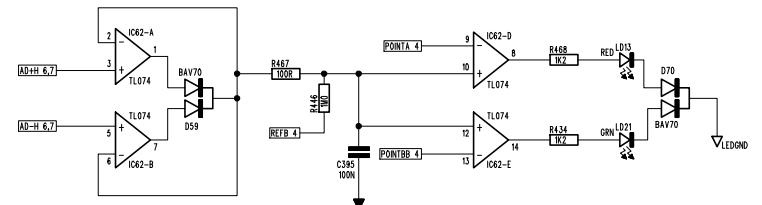
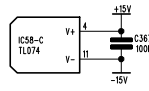
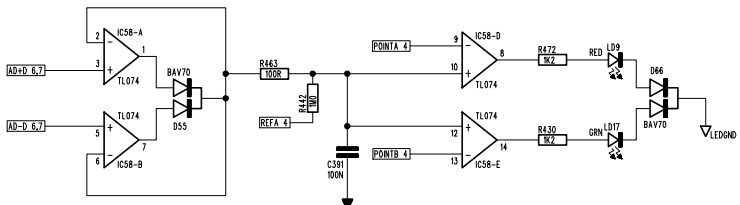
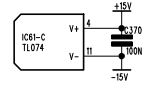
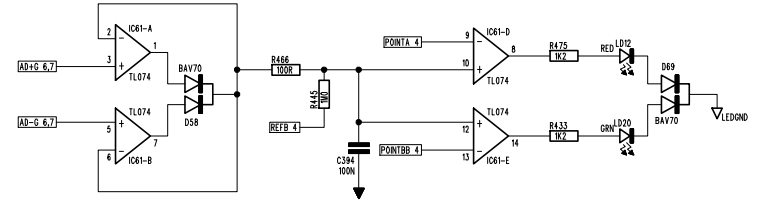
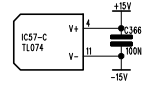
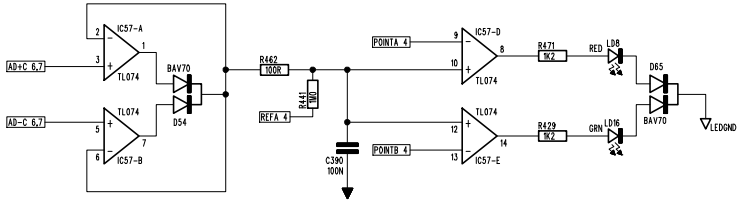
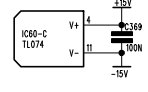
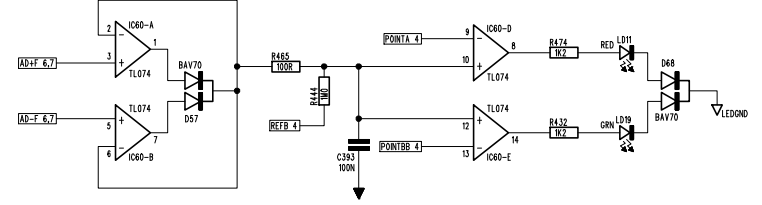
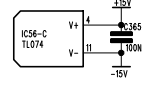
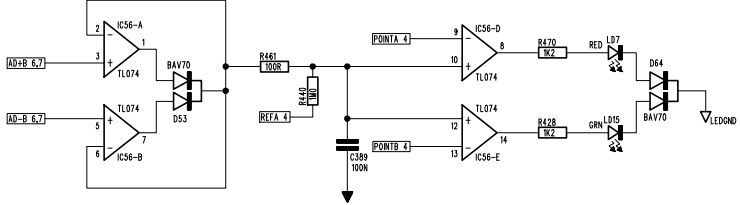
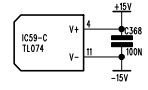
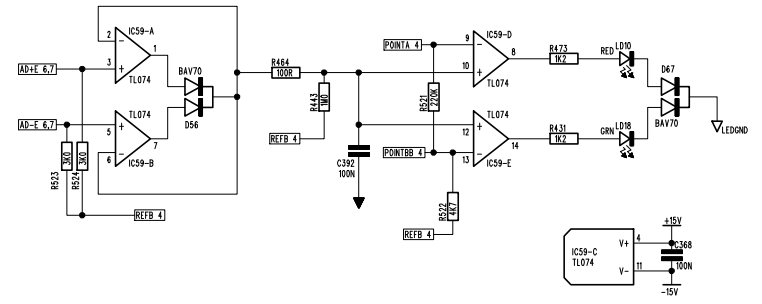
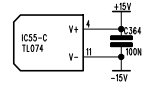
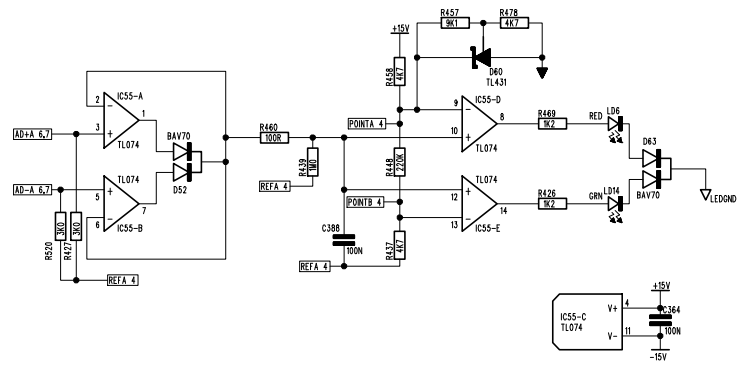
DATE:    10/2/98

CHECKED:

MATERIAL:

FINISH:

ISSUE COMMENTS:



THIS DRAWING IS THE COPYRIGHT OF BSS Audio Ltd. ALL REPRODUCTION AND COPYING, OTHER THAN THAT FOR LICENCED MANUFACTURERS OWN INTERNAL USE, OR DISCLOSURE OF PART OR WHOLE TO A THIRD PARTY WITHOUT PRIOR WRITTEN AUTHORISATION IS IN VIOLATION OF THE COPYRIGHT.  
 © BSS Audio Ltd 2001

DRAWING NUMBER      ISSUE  
**S-B9088AS-06**



HARMAN INTERNATIONAL  
 INDUSTRIES LIMITED  
 CRANBORNE HOUSE  
 CRANBORNE ROAD  
 POTTERS BAR  
 HERTS  
 EN6 3JN  
 Tel 01707 660667  
 Fax 01707 660755

**BSS Audio**

TITLE:  
 FILENAME: **S-B9088AS-06.SCH**  
 DRAWN BY: **AW/PST**  
 DATE: **10/2/98**  
 CHECKED:  
 LAYERS: SHEET 5 OF 12

ISSUE DETAILS

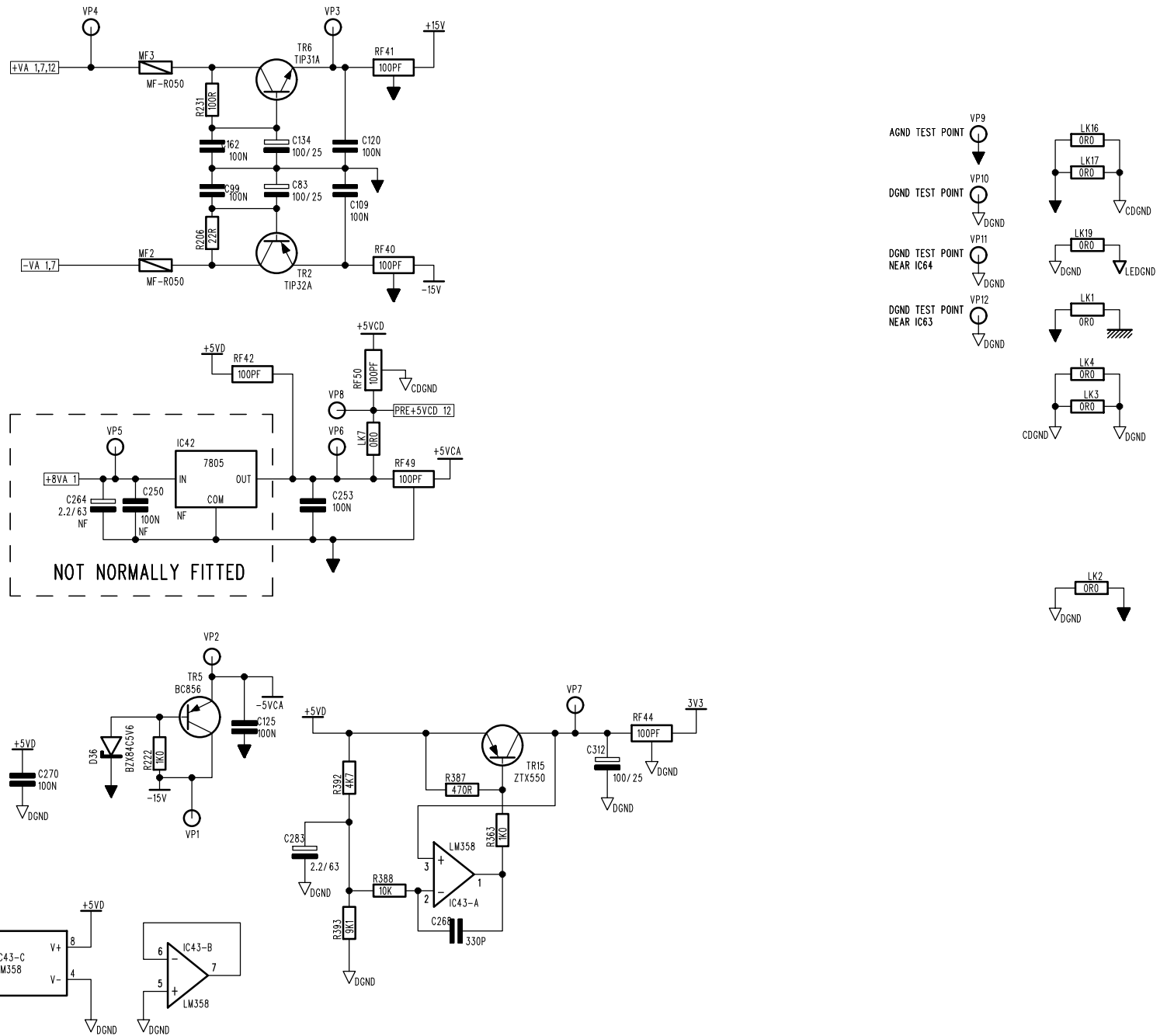
DIMENSIONS:

MATERIALS:

FINISH:

ARTWORK:

NOTES



THIS DRAWING IS THE COPYRIGHT OF BSS Audio Ltd. ALL REPRODUCTION AND COPYING, OTHER THAN THAT FOR LICENCED MANUFACTURERS OWN INTERNAL USE, OR DISCLOSURE OF PART OR WHOLE TO A THIRD PARTY WITHOUT PRIOR WRITTEN AUTHORISATION IS IN VIOLATION OF THE COPYRIGHT. © BSS Audio Ltd 2001

DRAWING NUMBER ISSUE  
**S-B9088AS-06**



HARMAN INTERNATIONAL  
 INDUSTRIES LIMITED  
 CRANBORNE HOUSE  
 CRANBORNE ROAD  
 POTTERS BAR  
 HERTS  
 EN6 3JN  
 Tel 01707 660667  
 Fax 01707 660755

TITLE: ADC MODULE

SHEET 6 OF 12

FILENAME: S-B9088AS-06.SCH

DRAWN: AW/PST

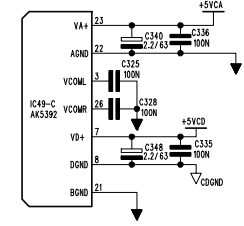
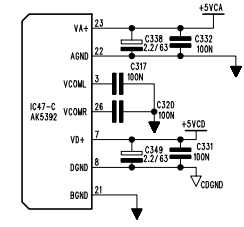
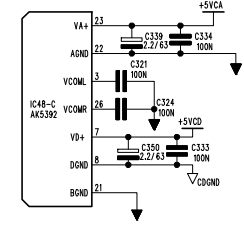
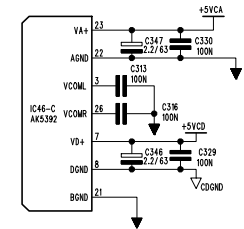
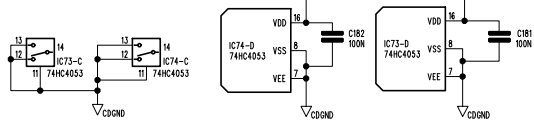
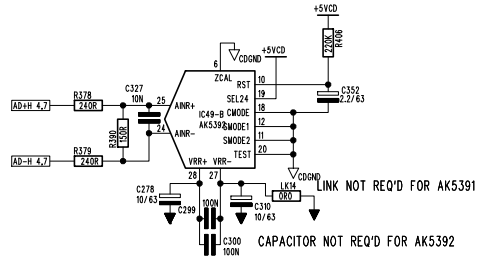
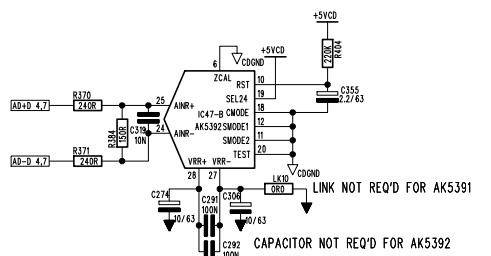
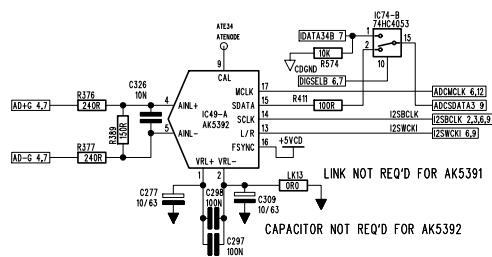
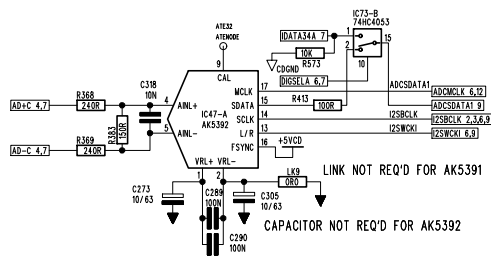
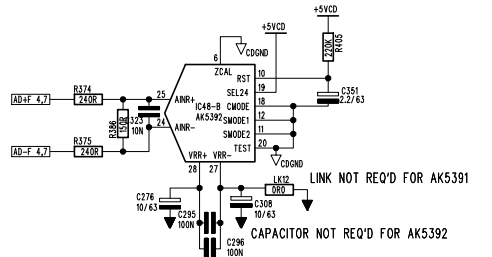
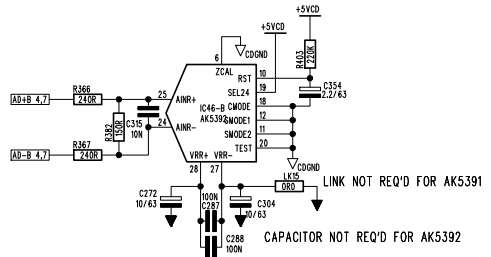
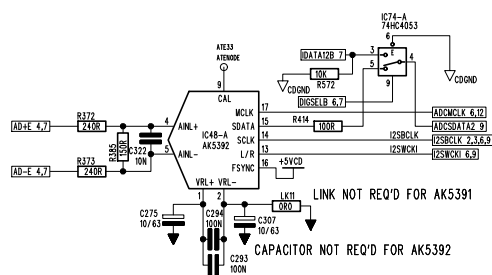
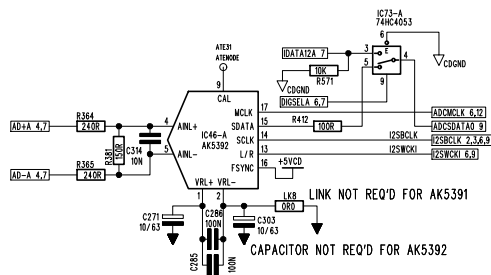
DATE: 10/2/98

CHECKED:

MATERIAL:

FINISH:

ISSUE COMMENTS:

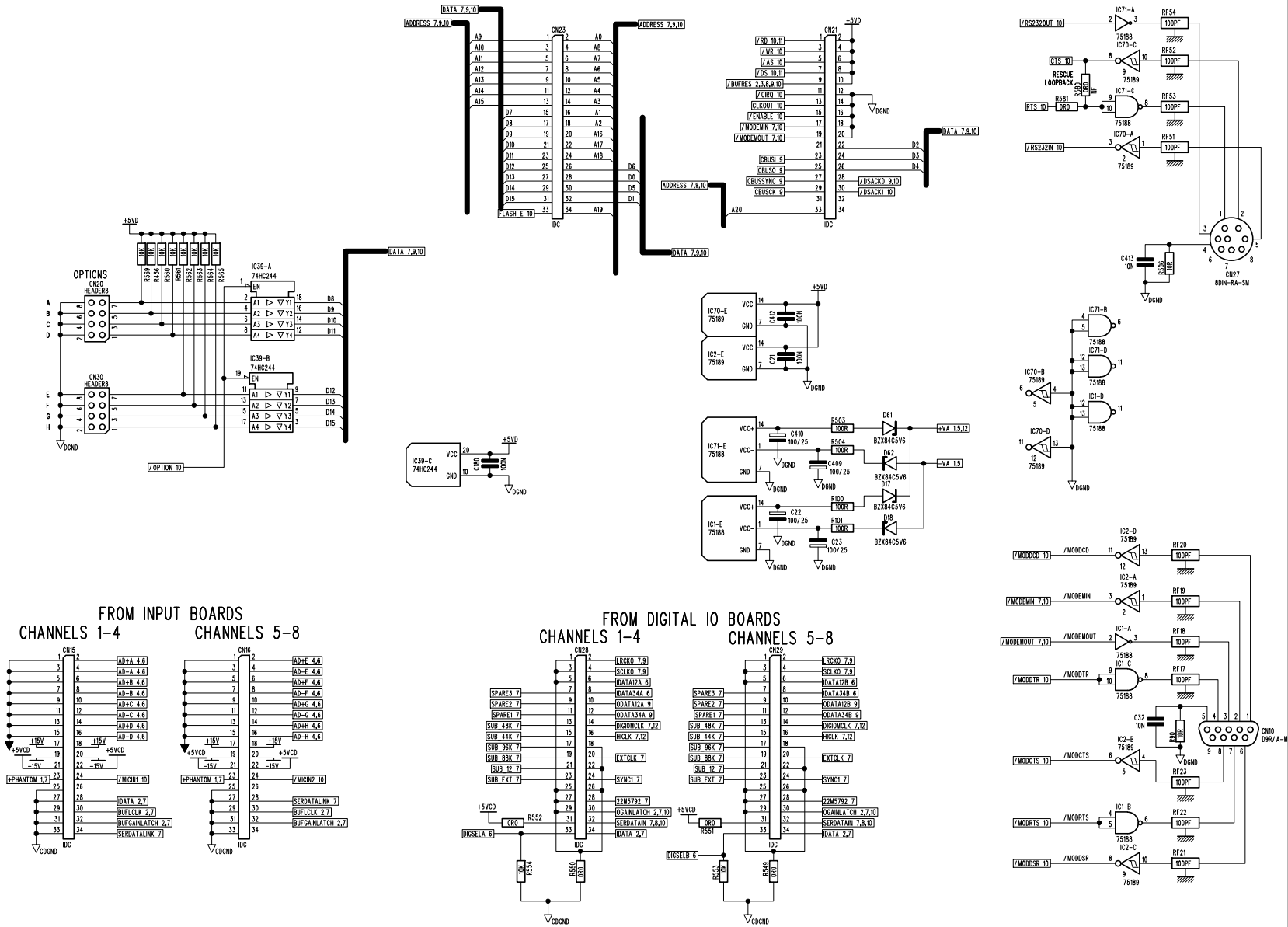


THIS DRAWING IS THE COPYRIGHT OF BSS Audio Ltd. ALL REPRODUCTION AND COPYING, OTHER THAN THAT FOR LICENCED MANUFACTURES OWN INTERNAL USE, OR DISCLOSURE OF PART OR WHOLE TO A THIRD PARTY WITHOUT PRIOR WRITTEN AUTHORISATION IS IN VIOLATION OF THE COPYRIGHT.  
 © BSS Audio Ltd 2001

DRAWING NUMBER ISSUE  
**S-B9088AS-06**

**BSS** HARMAN INTERNATIONAL INDUSTRIES LIMITED  
 CRANBORNE HOUSE  
 CRANBORNE ROAD  
 POTTERS BAR  
 HERTS  
 EN6 3JN  
 BSS Audio. Tel 01707 660667  
 Fax 01707 660755

TITLE:  
 SHEET 7 OF 12  
 FILENAME: S-B9088AS-06.SCH  
 DRAWN: AW/PST  
 DATE: 10/2/98  
 CHECKED:  
 MATERIAL:  
 FINISH:  
 ISSUE COMMENTS:



THIS DRAWING IS THE COPYRIGHT OF BSS Audio Ltd. ALL REPRODUCTION AND COPYING, OTHER THAN THAT FOR LICENCED MANUFACTURES OWN INTERNAL USE, OR DISCLOSURE OF PART OR WHOLE TO A THIRD PARTY WITHOUT PRIOR WRITTEN AUTHORISATION IS IN VIOLATION OF THE COPYRIGHT.  
 © BSS Audio Ltd 2001

DRAWING NUMBER    ISSUE  
**S-B9088AS-06**

**BSS** HARMAN INTERNATIONAL INDUSTRIES LIMITED  
 CRANBORNE HOUSE  
 CRANBORNE ROAD  
 POTTERS BAR  
 HERTS  
 EN6 3JN  
**BSS Audio.** Tel 01707 660667  
 Fax 01707 660755

TITLE:

SHEET 8 OF 12

FILENAME: S-B9088AS-06.SCH

DRAWN:            AW/PST

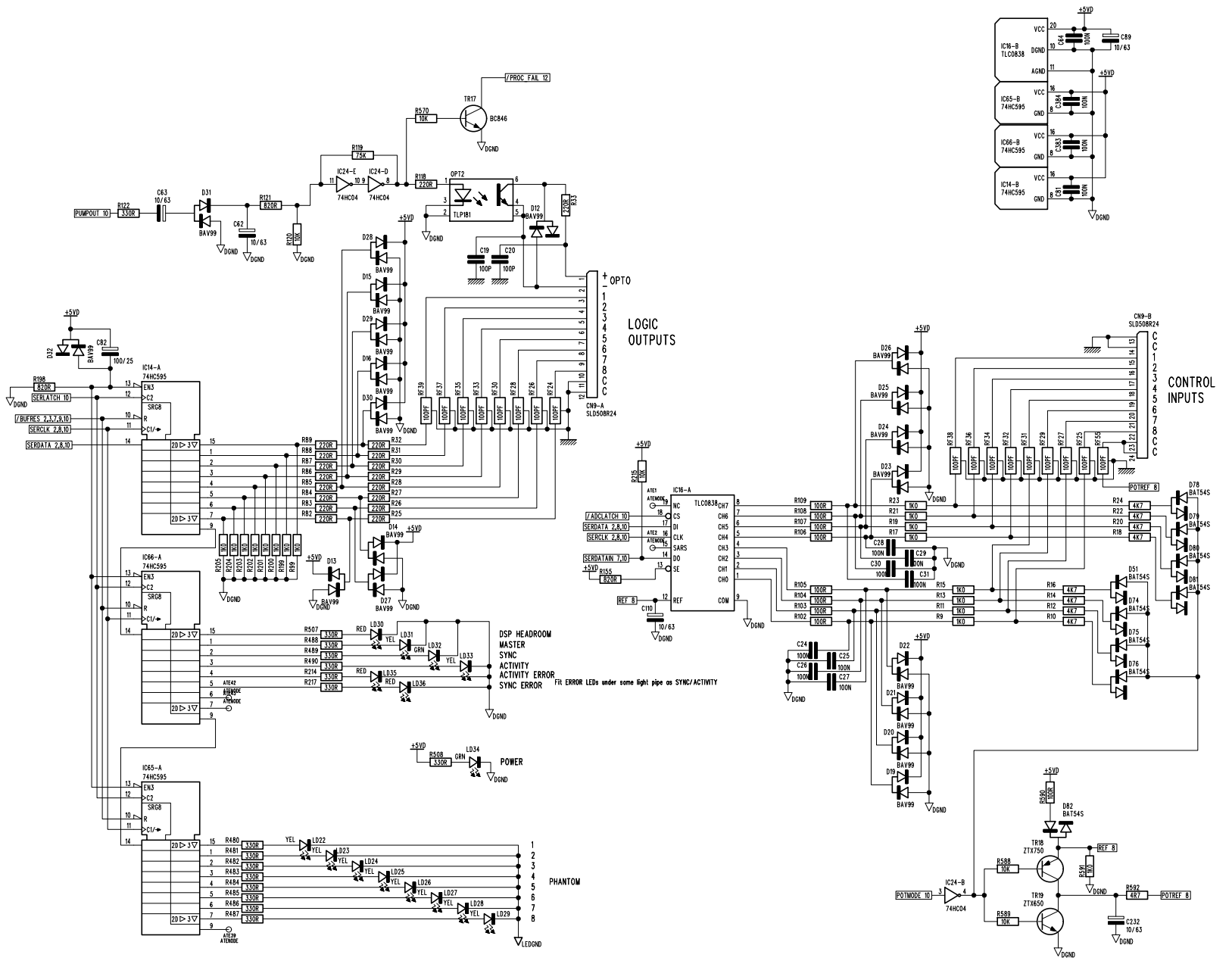
DATE:             10/2/98

CHECKED:

MATERIAL:

FINISH:

ISSUE COMMENTS:



THIS DRAWING IS THE COPYRIGHT OF BSS Audio Ltd. ALL REPRODUCTION AND COPYING, OTHER THAN THAT FOR LICENCED MANUFACTURES OWN INTERNAL USE, OR DISCLOSURE OF PART OR WHOLE TO A THIRD PARTY WITHOUT PRIOR WRITTEN AUTHORISATION IS IN VIOLATION OF THE COPYRIGHT.  
 © BSS Audio Ltd 2001



DRAWING NUMBER ISSUE  
**S-B9088AS-06**



TITLE: **PIRANA**

SHEET 9 OF 12  
 FILENAME: **S-B9088AS-06.SCH**

DRAWN: **AW/PST**

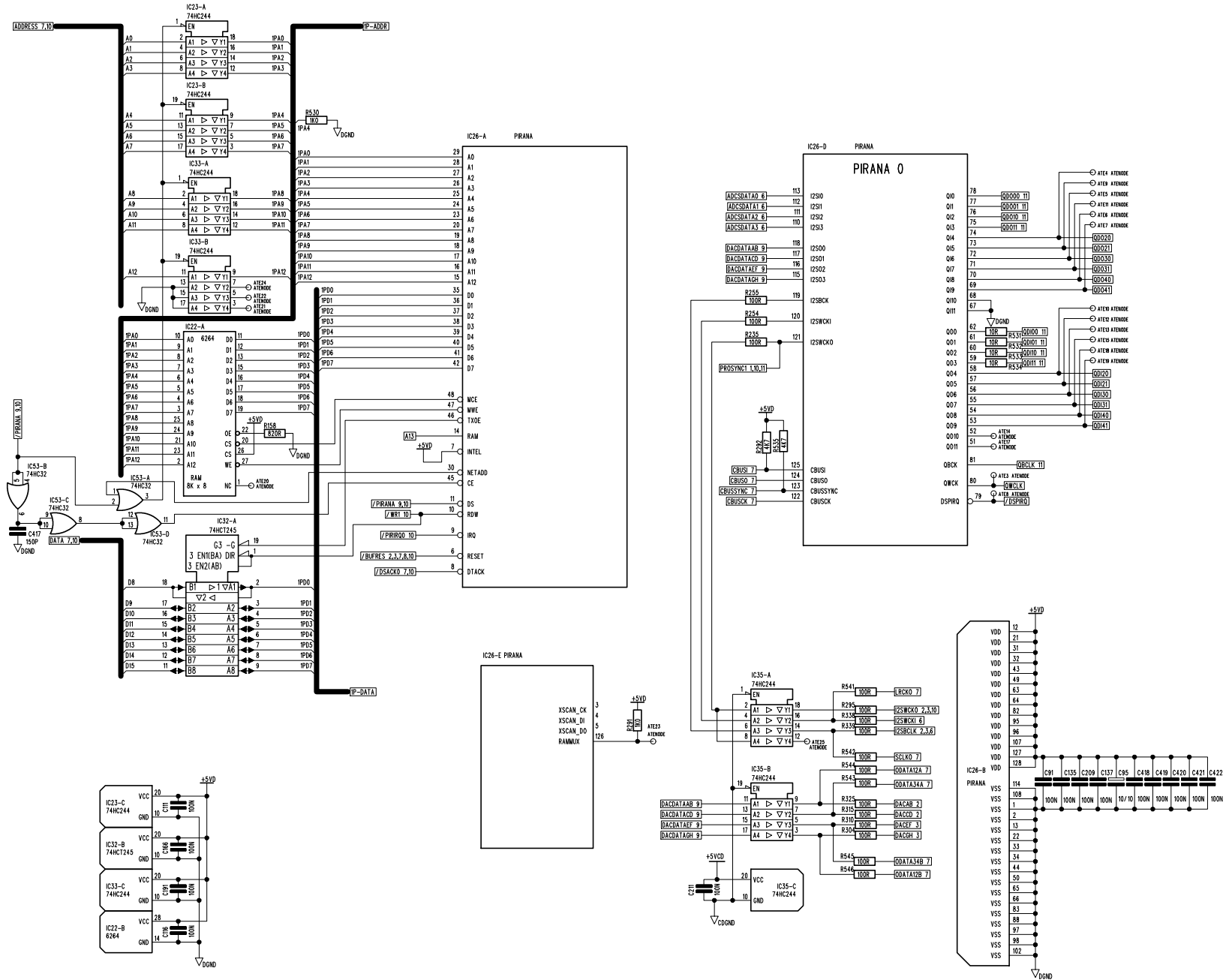
DATE: **10/2/98**

CHECKED:

MATERIAL:

FINISH:

ISSUE COMMENTS:



THIS DRAWING IS THE COPYRIGHT OF BSS Audio Ltd. ALL REPRODUCTION AND COPYING, OTHER THAN THAT FOR LICENCED MANUFACTURERS OWN INTERNAL USE, OR DISCLOSURE OF PART OR WHOLE TO A THIRD PARTY WITHOUT PRIOR WRITTEN AUTHORISATION IS IN VIOLATION OF THE COPYRIGHT.  
 © BSS Audio Ltd 2001

DRAWING NUMBER ISSUE  
**S-B9088AS-06**



TITLE: **PROCESSOR**

SHEET 10 OF 12

FILENAME: **S-B9088AS-06.SCH**

DRAWN: **AW/PST**

DATE: **10/2/98**

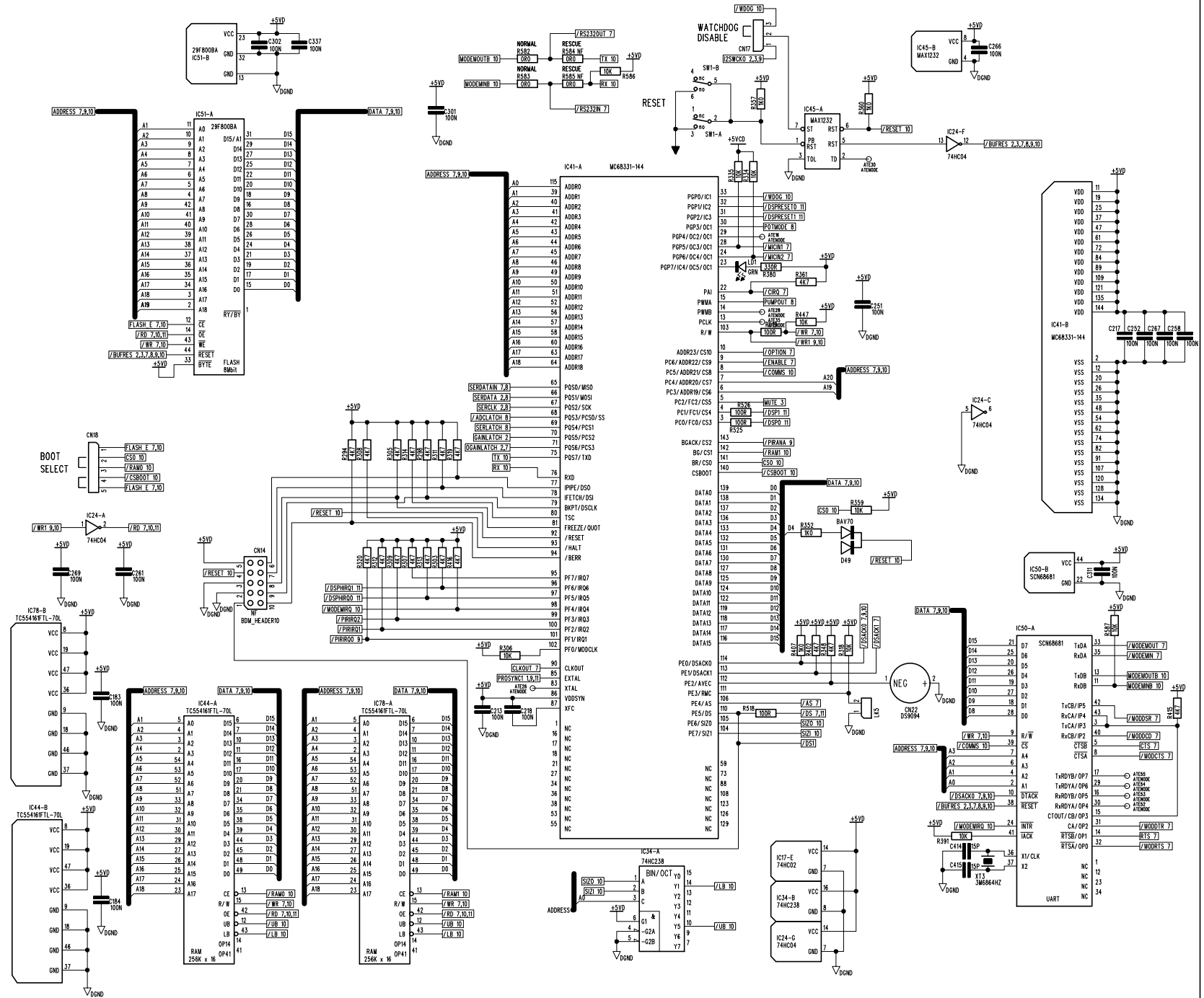
CHECKED:

MATERIAL:

FINISH:

ISSUE COMMENTS:

THIS DRAWING IS THE COPYRIGHT OF BSS Audio Ltd. ALL REPRODUCTION AND COPYING, OTHER THAN THAT FOR LICENCED MANUFACTURERS OWN INTERNAL USE, OR DISCLOSURE OF PART OR WHOLE TO A THIRD PARTY WITHOUT PRIOR WRITTEN AUTHORISATION IS IN VIOLATION OF THE COPYRIGHT. © BSS Audio Ltd 2001



DRAWING NUMBER ISSUE  
**S-B9088AS-06**

**BSS**  
 HARMAN INTERNATIONAL INDUSTRIES LIMITED  
 CRANBORNE HOUSE  
 POTTERS BAR  
 HERTS  
 EN6 3JN  
 Tel 01707 660667  
 Fax 01707 660755

TITLE:

SHEET 11 OF 12

FILENAME: S-B9088AS-06.SCH

DRAWN: AW/PST

DATE: 10/2/98

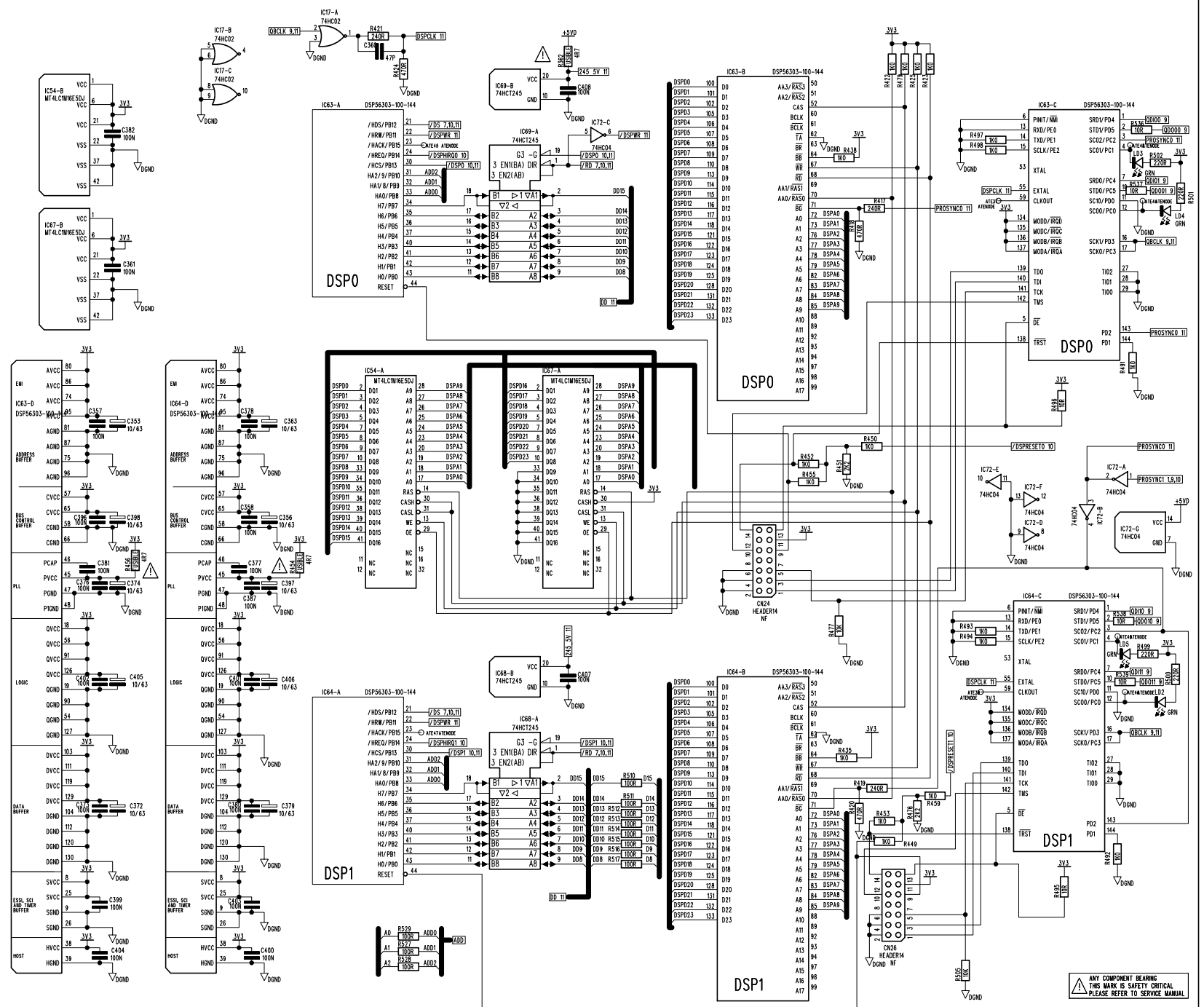
CHECKED:

MATERIAL:

FINISH:

ISSUE COMMENTS:

THIS DRAWING IS THE COPYRIGHT OF BSS Audio Ltd. ALL REPRODUCTION AND COPYING, OTHER THAN THAT FOR LICENCED MANUFACTURES OWN INTERNAL USE, OR DISCLOSURE OF PART OR WHOLE TO A THIRD PARTY WITHOUT PRIOR WRITTEN AUTHORISATION IS IN VIOLATION OF THE COPYRIGHT.  
 © BSS Audio Ltd 2001



ANY COMPONENT BEARING THIS MARK IS SAFETY CRITICAL  
 PLEASE REFER TO SERVICE MANUAL

DRAWING NUMBER ISSUE  
**S-B9088AS-06**

**BSS** HARMAN INTERNATIONAL INDUSTRIES LIMITED  
 CRANBORNE HOUSE  
 CRANBORNE ROAD  
 POTTERS BAR  
 HERTS  
 EN6 3JN  
 BSS Audio. Tel 01707 660667  
 Fax 01707 660755

TITLE: NETWORK & PLL

SHEET 12 of 12

FILENAME: S-B9088AS-06.SCH

DRAWN: AW/PST

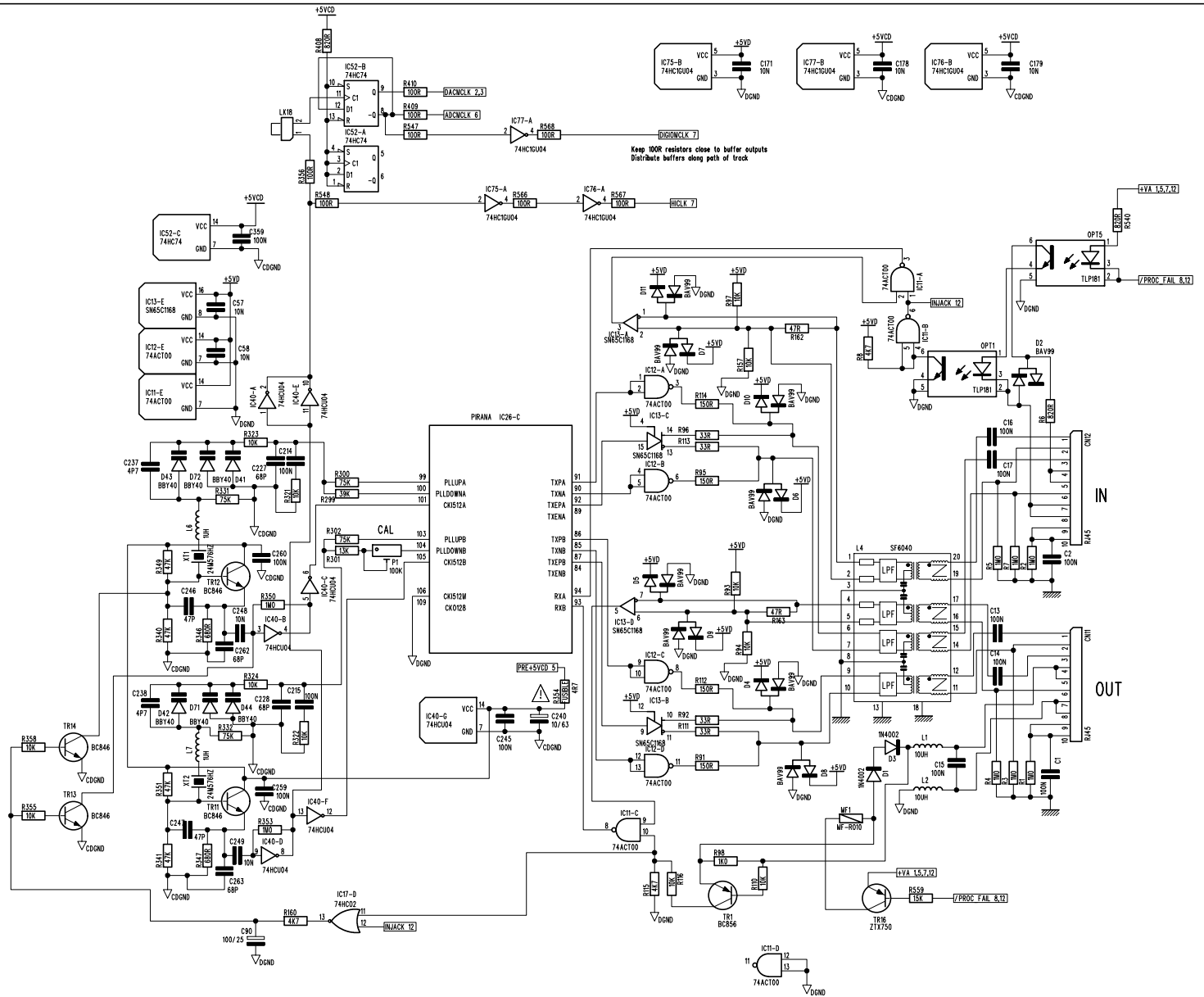
DATE: 10/2/98

CHECKED:

MATERIAL:

FINISH:

ISSUE COMMENTS:



THIS DRAWING IS THE COPYRIGHT OF BSS Audio Ltd. ALL REPRODUCTION AND COPYING, OTHER THAN THAT FOR LICENCED MANUFACTURES OWN INTERNAL USE, OR DISCLOSURE OF PART OR WHOLE TO A THIRD PARTY WITHOUT PRIOR WRITTEN AUTHORISATION IS IN VIOLATION OF THE COPYRIGHT. © BSS Audio Ltd 2001

ANY COMPONENT BEARING THIS MARK IS SAFETY CRITICAL. PLEASE REFER TO SERVICE MANUAL.